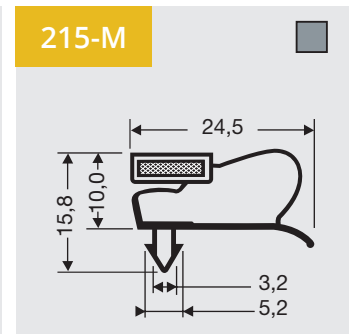
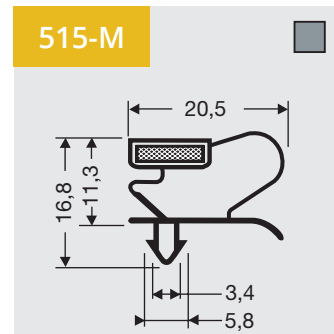
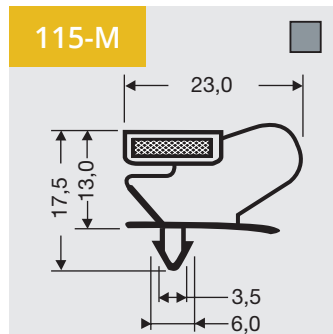
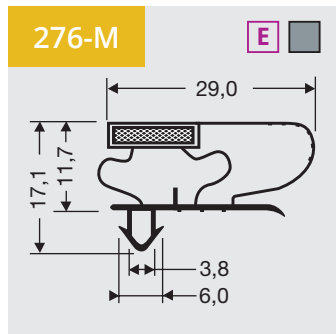
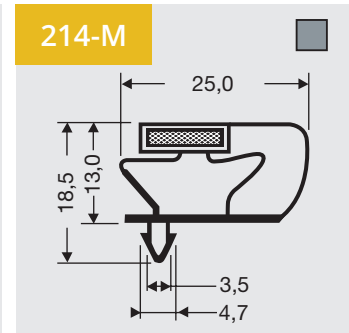
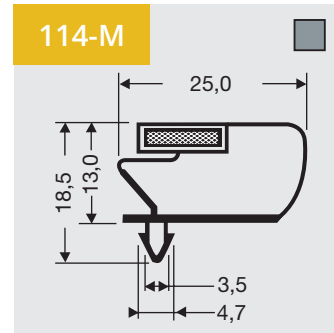
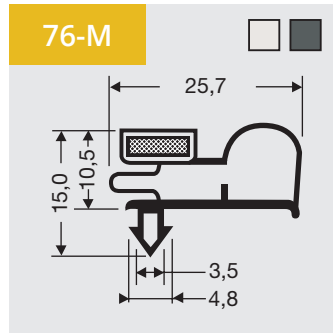
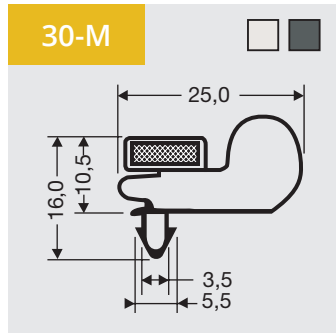
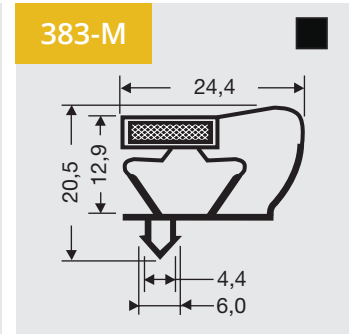
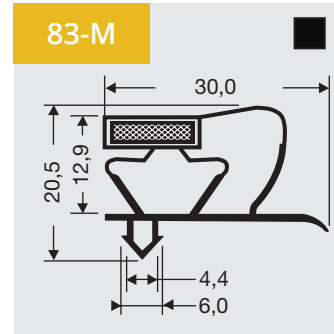
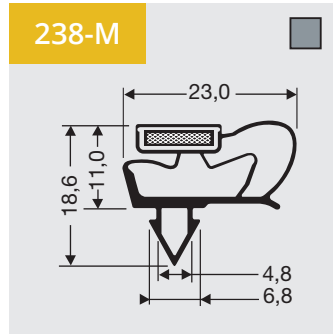
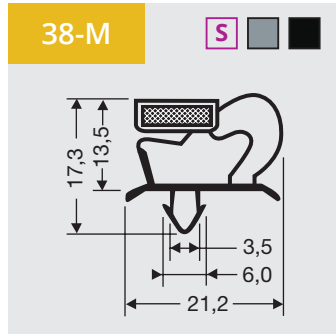




1

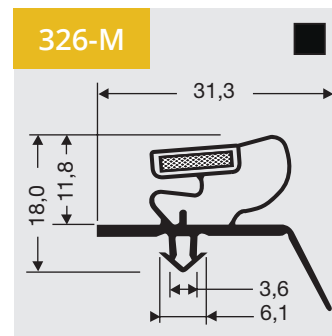
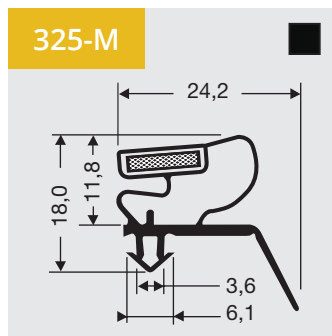
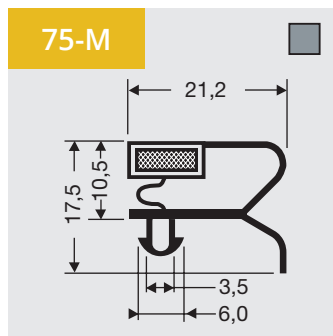
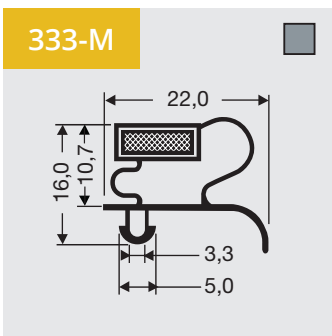
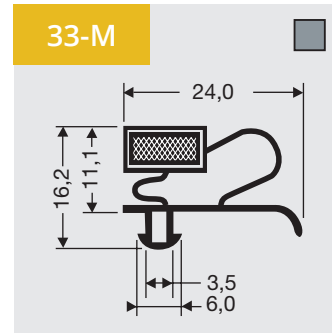
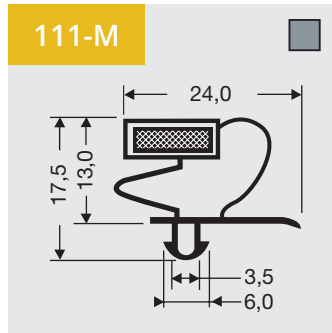
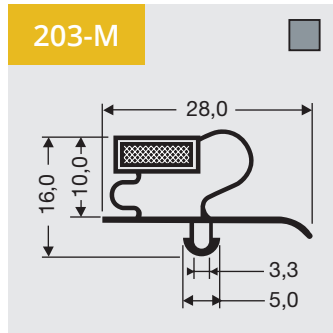
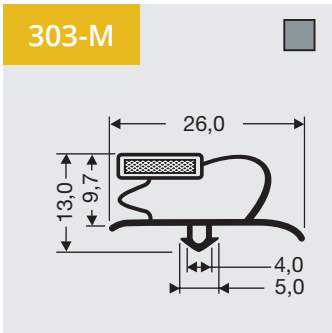
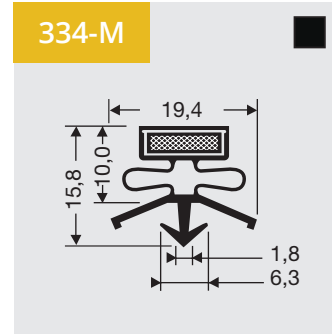
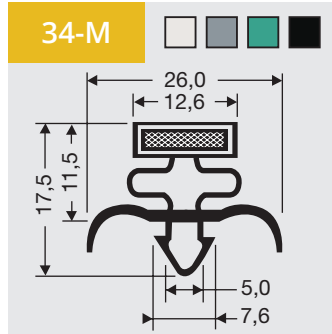
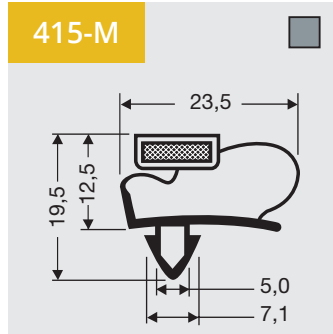
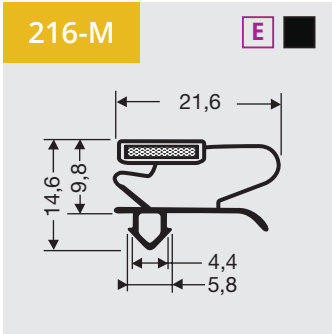
Dart profiles with magnet

Available as frame or profile length.



1

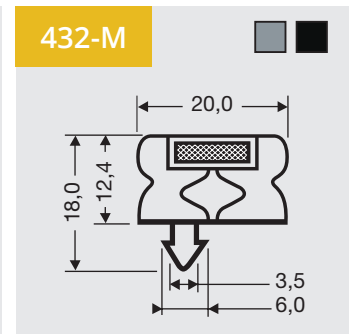
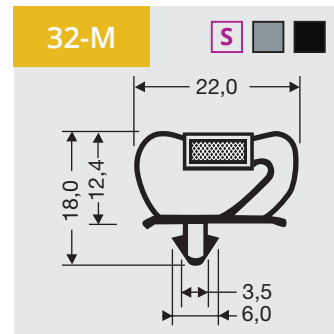
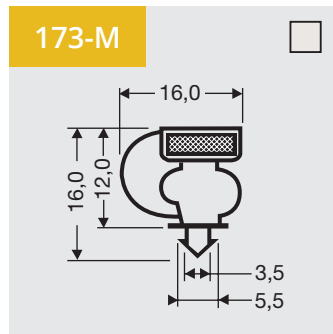
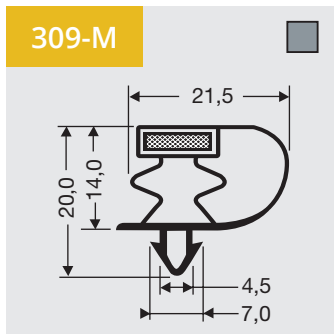
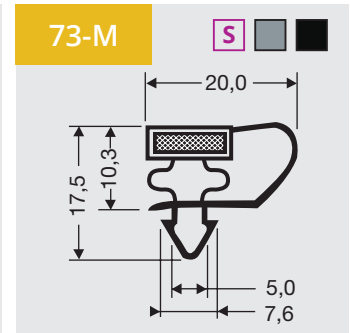
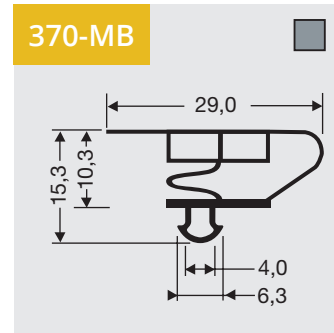
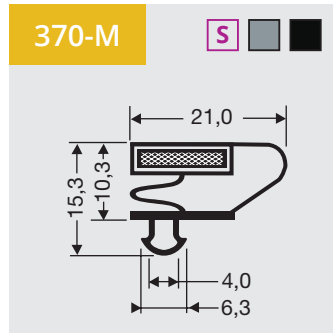
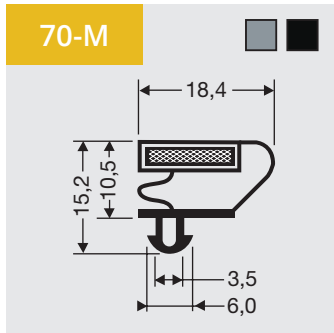
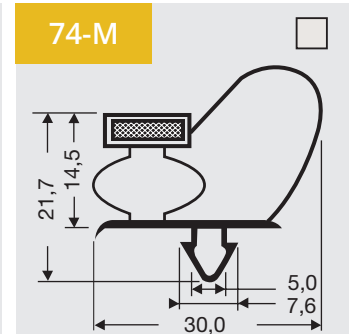
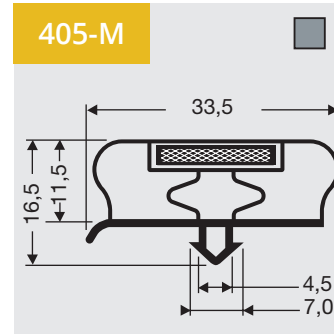
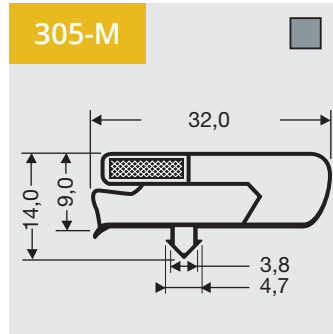
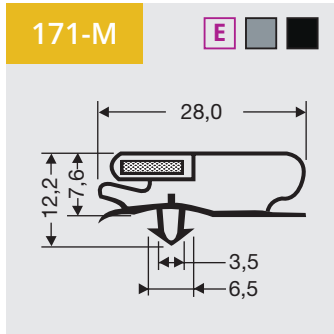
Dart profiles with magnet
Available as frame or profile length.





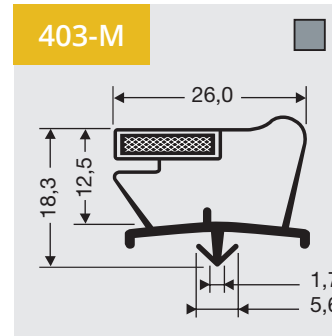
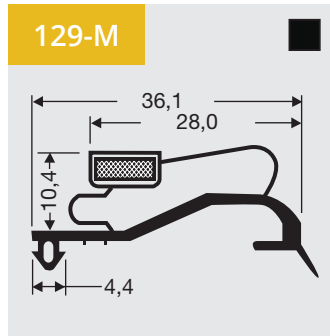
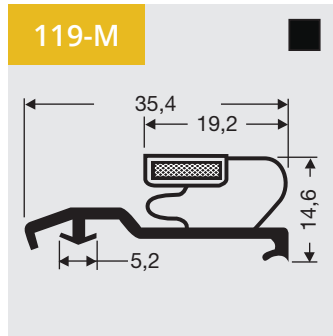
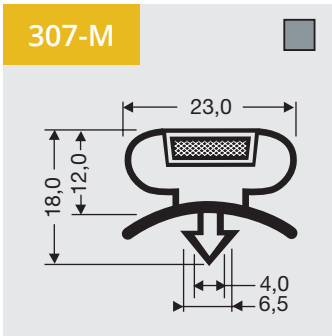
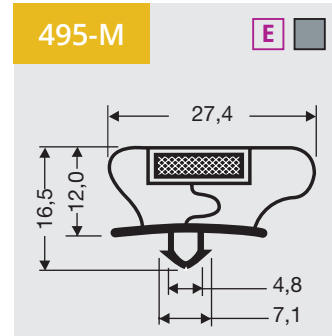
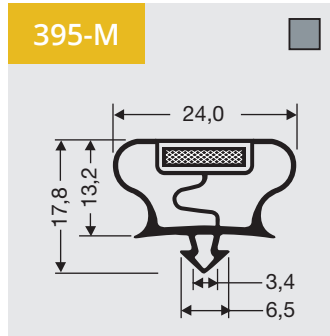
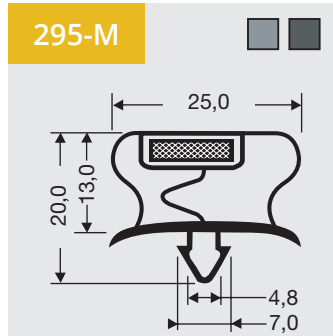
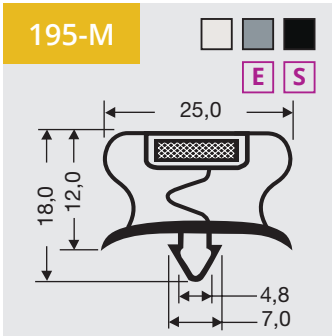
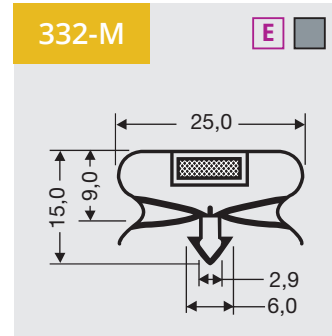
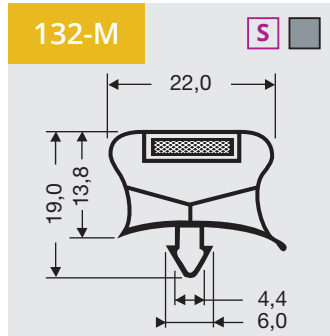
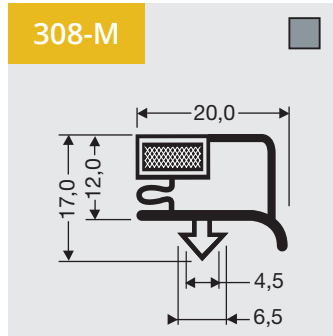
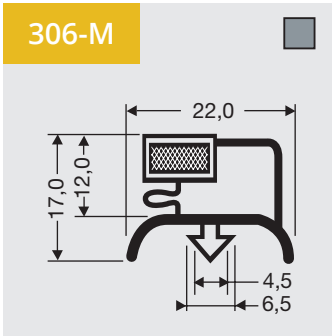
1

Dart profiles with magnet
Available as frame or profile length.



1

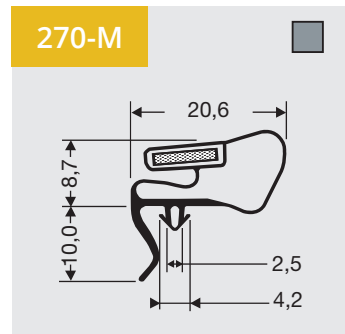
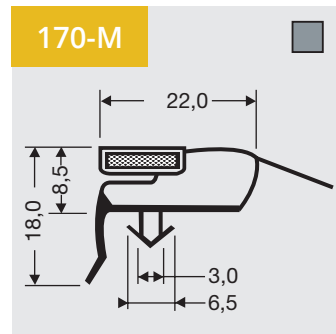
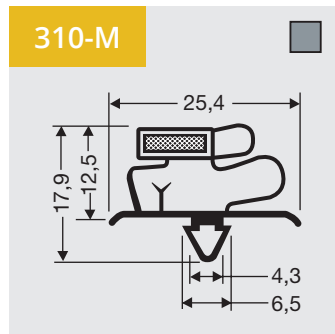
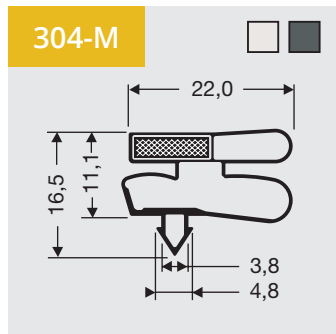
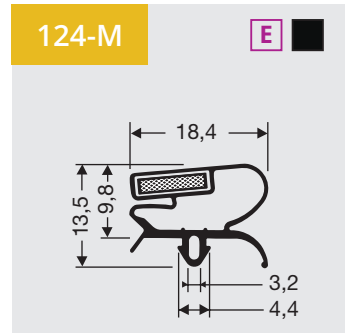
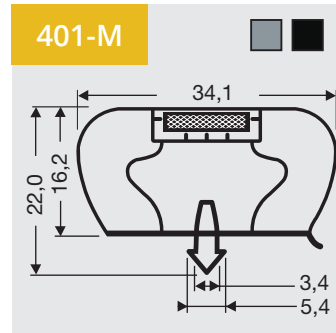
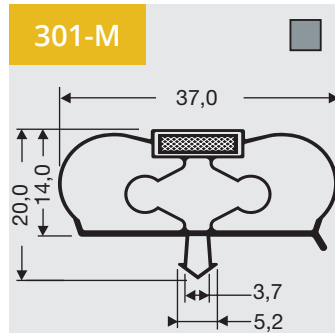
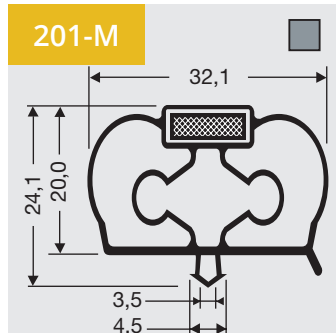
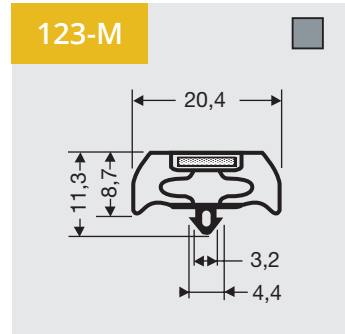
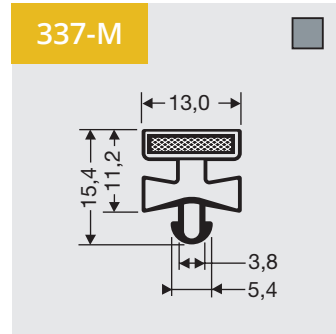
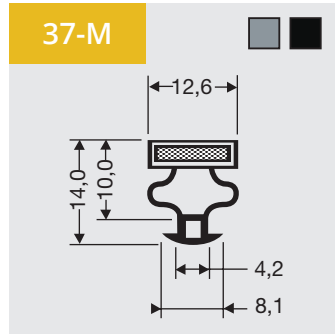
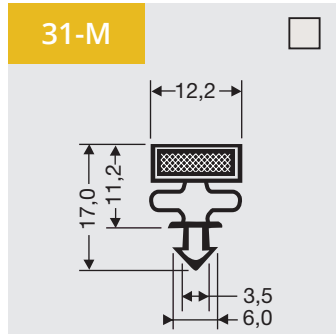
Dart profiles with magnet
Available as frame or profile length.





1

Dart profiles with magnet
Available as frame or profile length.



1

Dart profiles with magnet
Available as frame or profile length.

